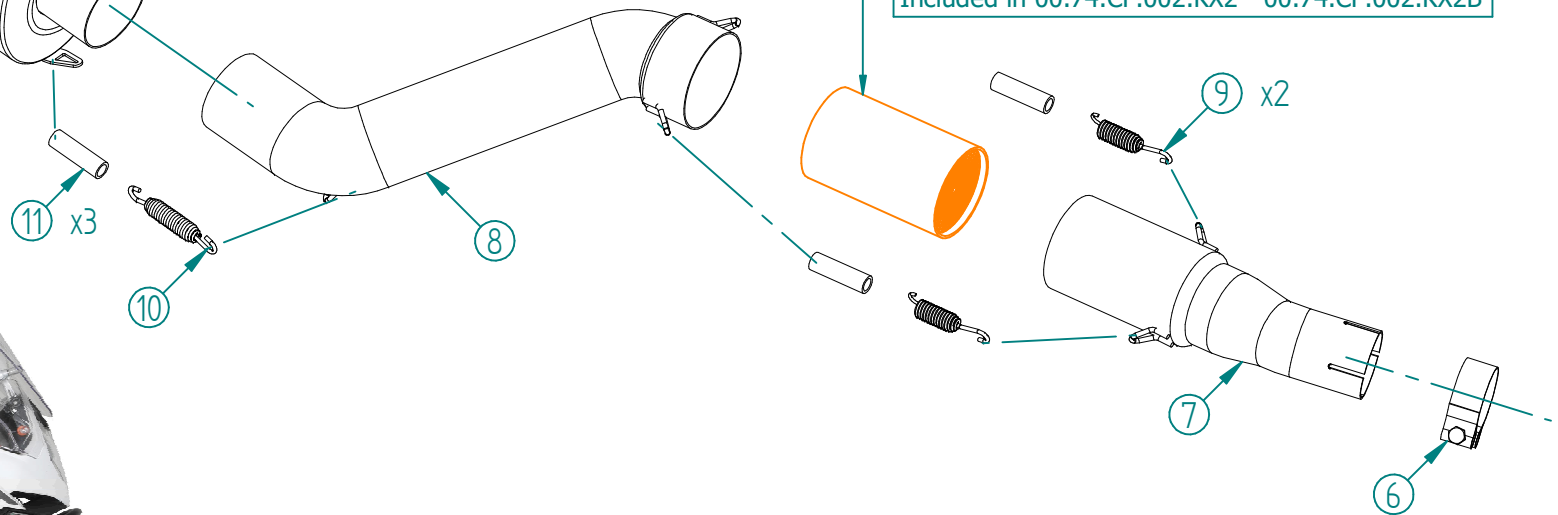


#	DESCRIPTION	PART NUMBER	QTY
1	Silenziatore / Muffler - db killer 50.DK.092.0	OVAL 360	1
2	Rondella di sicurezza / Safety washer	50.73.604.1	2
3	Vite M8 x 16 / Screw M8 x 16	50.73.098.1	2
4	Staffa / Bracket	50.SS.1446.0	1
5	Vite M8x16 / Screw M8x16	50.73.006.1	1
6	Fascetta Ø 44/47 mm / Pipe clamp Ø 44/47 mm	50.FA.006.1	1
7	Tubo di raccordo / Link pipe	9773CF002SEA	1
8	Tubo di raccordo / Link pipe	9773CF002SEB	1
9	Molla corta / Short Spring	50.73.123.1	2
10	Molla media / Mid-size spring	50.73.359.1	1
11	Tubo in gomma per molla / Rubber pipe for spring	50.73.049.0	3

Catalytic Converter : Cod. ACC.077.A1
Optional for 00.74.CF.002.LX2 - 00.74.CF.002.LX2B
Included in 00.74.CF.002.KX2 - 00.74.CF.002.KX2B



APPLICAZIONI / APPLICATIONS			
CODICE / CODE	SILENZIATORE / MUFFLER	TUBO / PIPE	NOTE
74.CF.002.LX2	INOX / ST. STEEL	INOX / ST. STEEL	CATALYTIC CONVERTER NOT INCLUDED
74.CF.002.LX2B	INOX NERO / STEEL BLACK		
74.CF.002.KX2	INOX / ST. STEEL		CATALYTIC CONVERTER INCLUDED
74.CF.002.KX2B	INOX NERO / STEEL BLACK		